



1763

TOWN OF NEW WINDSOR

SUPERINTENDENT OF HIGHWAYS

ANTHONY FAYO

857 UNION AVENUE

NEW WINDSOR, NEW YORK 12553-6196

TELEPHONE: (845) 564-6660

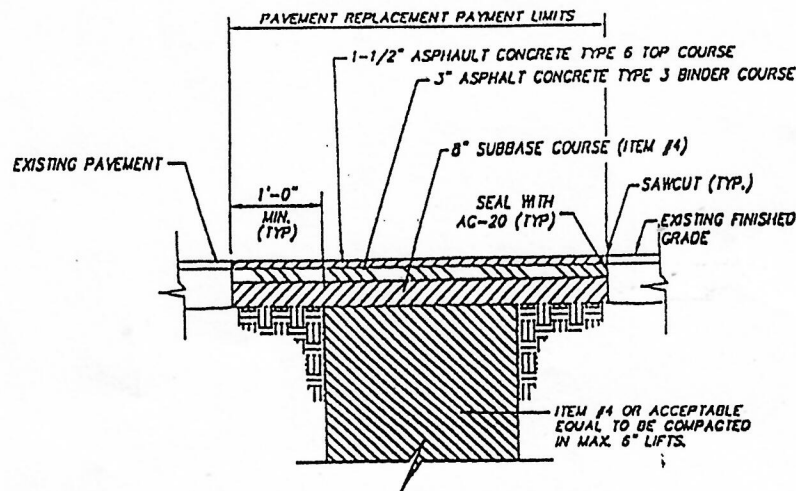
FAX: (845) 564-5102

STREET OPENING PERMIT SPECIFICATIONS

Inspection by Highway Department personnel required when street opening is completed. Six (6) months from inspection date, a re-inspection will be done, if approved, bond will be returned. After one (1) year, if the street opening has not been completed, the bond amount will revert back to the Highway Department.

- Saw or line cut pavement for trench.
 - Excavated material to be removed from job site.
 - Backfill to be Item #4.
 - Crushed stone may be used in bottom of trench for wet conditions.
 - Compaction to be done in six (6") inch lifts.
 - Trench to be maintained for settlement if needed, until pavement replacement
 - Pavement replacement minimum of five (5") inches of hot mix asphalt concrete and placed within two weeks of initial opening of trench.
 - Contractor is responsible for any settlement that might occur for six (6) months from inspection date.
 - Work zone signs to be posted in accordance with Manual of Uniform Traffic Control Devices (construction section.)
 - Flag person will be used to control traffic if necessary.
 - If work necessitates any type of road closure to traffic, the necessary signs are to be posted.
- The following agencies must be notified before proceeding and upon completion of work, above agencies must be notified of road re-opening.

| | |
|--------------------------------|----------|
| New Windsor Police Department | 565-7000 |
| New Windsor Ambulance corps | 565-3320 |
| New Windsor Fire Department | 561-3112 |
| Vails Gate Fire Department | 561-2020 |
| New Windsor Highway Department | 564-6660 |



PAVEMENT REPLACEMENT DETAIL